

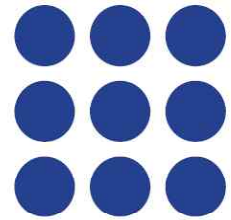


SPRINKLER



 **MASTECO**

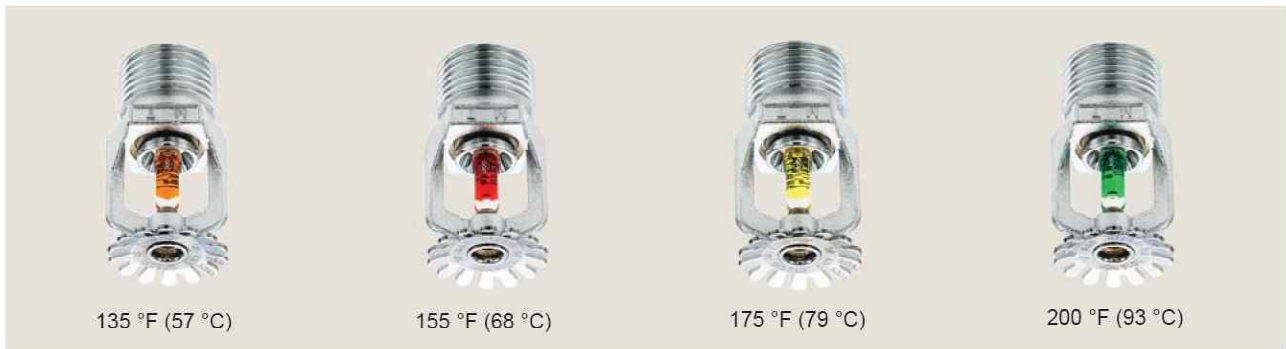
MADE IN KOREA



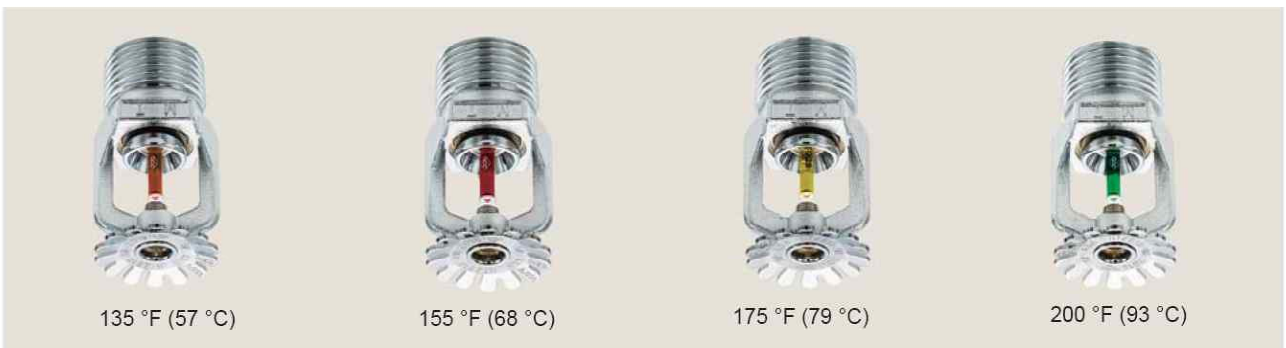
GLASS BULB SPRINKLER PENDENT

MASTECO Glass Bulb Type Sprinklers incorporate decorative glass bulbs containing special liquid that expands and subsequently breaks the bulb when heated to specific temperature. These sprinklers are designed to discharge water downward against the deflector creating an umbrella-shaped spray pattern for use in various commercial application. Pendent standard response (MT2510) and quick response (MT2610) model series are available in a variety of temperature ratings, nickel chrome and natural finishes to meet a range of design requirements.

STANDARD RESPONSE (MT2510)

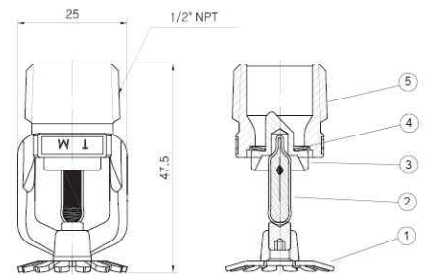


QUICK RESPONSE (MT2610)

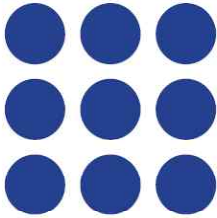


SPECIFICATIONS

Model No.	MT2510	MT2610
Min. Operating Pressure	7 psi (0.5 bar)	
Max. Working Pressure	175 psi (12.1 bar)	
Hydrostatic Test Pressure	500 psi (34.5 bar)	
Thread Size	1/2" NPT (15A)	
K-Factor	5.6 gpm/psi ^{1/2} (80 lpm/bar ^{1/2})	
Max. Ambient Temperature	135 °F, 155 °F: 100 °F (38 °C) 175 °F, 200 °F: 150 °F (65 °C)	
Finish Options	Natural, Chrome, Nickel-Chrome Plated	
Glass Bulb Size	Ø 0.197 in (5 mm)	Ø 0.118 in (3 mm)



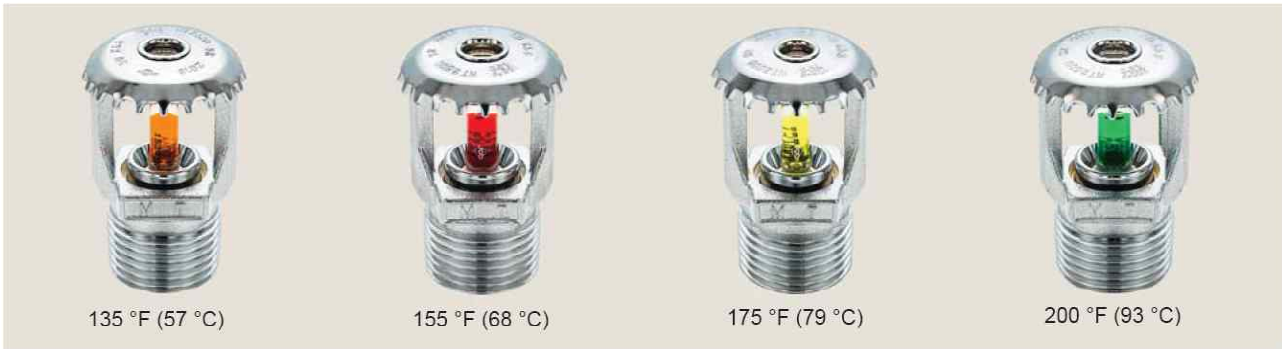
NO.	PART NAME	MATERIAL
1	DEFLECTOR	COPPER
2	GLASS BULB	—
3	VALVE CAP	BRASS
4	SPRING SEAT	Ni-Be + PTFE
5	FRAME	BRASS



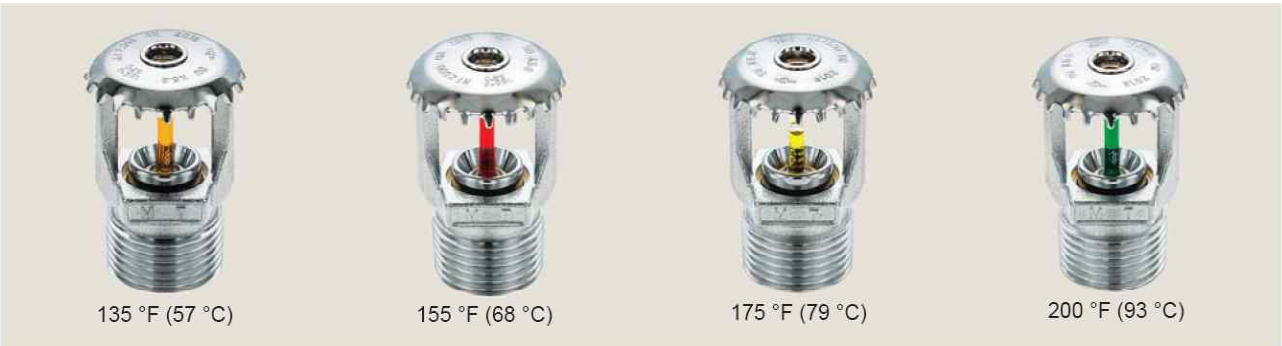
GLASS BULB SPRINKLER UPRIGHT

MASTECO Glass Bulb Type Sprinklers incorporate decorative glass bulbs containing special liquid that expands and subsequently breaks the bulb when heated to specific temperature. These sprinklers are designed to discharge water upward against the deflector creating an umbrella-shaped spray pattern for use in various commercial application. Upright standard response (MT2500) and quick response (MT2600) model series are available in a variety of temperature ratings, nickel chrome and natural finishes to meet a range of design requirements.

STANDARD RESPONSE (MT2500)

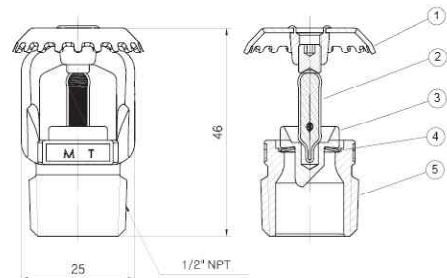


QUICK RESPONSE (MT2600)



SPECIFICATIONS

Model No.	MT2500	MT2600
Min. Operating Pressure	7 psi (0.5 bar)	
Max. Working Pressure	175 psi (12.1 bar)	
Hydrostatic Test Pressure	500 psi (34.5 bar)	
Thread Size	1/2" NPT (15A)	
K-Factor	5.6 gpm/psi ^{1/2} (80 lpm/bar ^{1/2})	
Max. Ambient Temperature	135 °F, 155 °F: 100 °F (38 °C) 175 °F, 200 °F: 150 °F (65 °C)	
Finish Options	Natural, Chrome, Nickel-Chrome Plated	
Glass Bulb Size	Ø 0.197 in (5 mm)	Ø 0.118 in (3 mm)



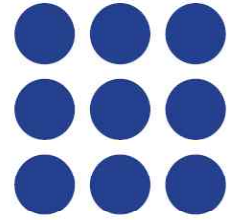
NO.	PART NAME	MATERIAL
1	DEFLECTOR	COPPER
2	GLASS BULB	—
3	VALVE CAP	BRASS
4	SPRING SEAT	Ni-Be + PTFE
5	FRAME	BRASS



LISTED

EX26626

STANDARD RESPONSE FLUSH TYPE SPRINKLER



MASTECO Flush Type Sprinkler is intended for use in installations where sprinkler misoperation or physical damage due to impact is a major concern. It is designed for excellent impact resistance and sealing performance. When properly installed, only small portion of the sprinkler is visible below the ceiling. With the deflector hidden until the sprinkler is operated, the exterior of the Flush Type Sprinkler is aesthetically designed to maintain the structural beauty of the ceiling.

STANDARD RESPONSE (MT2010)

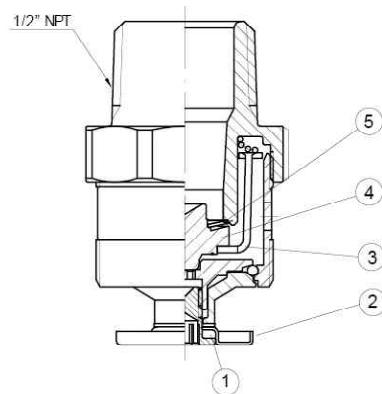


**Also available with uncoated/natural brass-colored threaded body.*

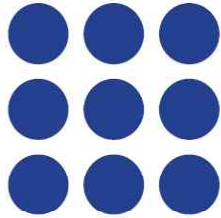
SR (Standard Response) Type Sprinkler uses special alloy fusible element. When the heat from a fire reaches the operating temperature of the sprinkler, the fusible element melts and the deflector is automatically ejected downward for quick water spray.

SPECIFICATIONS

Model No.	MT2010
K-Factor	5.6 gpm/psi ^{1/2} (80 lpm/bar ^{1/2})
Temperature Rating	165 °F, 205 °F, 220 °F (74 °C, 96 °C, 105 °C)
Thread Size	1/2" NPT (15A)
Min. Operating Pressure	7 psi (0.5 bar)
Max. Working Pressure	175 psi (12.1 bar)
Hydrostatic Test Pressure	500 psi (34.5 bar)
Max. Ambient Temperature	165 °F: 100 °F (38 °C) 205 °F, 220 °F: 150 °F (65 °C)



NO.	PART NAME	MATERIAL
1	FUSE METAL	FUSIBLE ALLOY
2	HEAT COLLECTOR	COPPER
3	DEFLECTOR	STAINLESS STEEL
4	VALVE CAP	BRASS
5	SPRING SEAT	Ni-Be + PTFE



QUICK RESPONSE FLUSH TYPE SPRINKLER

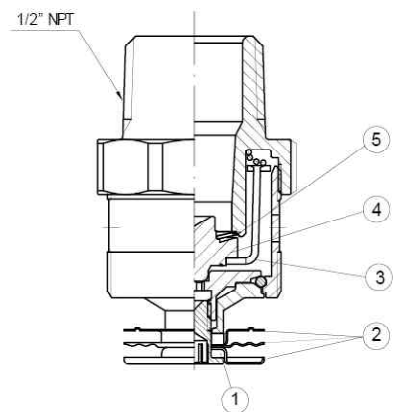
MASTECO Flush Type Sprinkler is intended for use in installations where sprinkler misoperation or physical damage due to impact is a major concern. It is designed for excellent impact resistance and sealing performance. When properly installed, only small portion of the sprinkler is visible below the ceiling. With the deflector hidden until the sprinkler is operated, the exterior of the Flush Type Sprinkler is aesthetically designed to maintain the structural beauty of the ceiling.

QUICK RESPONSE (MT2110)



SPECIFICATIONS

Model No.	MT2110
K-Factor	5.6 gpm/psi ^{1/2} (80 lpm/bar ^{1/2})
Temperature Rating	165 °F, 205 °F, 220 °F (74 °C, 96 °C, 105 °C)
Thread Size	1/2" NPT (15A)
Min. Operating Pressure	7 psi (0.5 bar)
Max. Working Pressure	175 psi (12.1 bar)
Hydrostatic Test Pressure	500 psi (34.5 bar)
Max. Ambient Temperature	165 °F, 100 °F (38 °C) 205 °F, 220 °F: 150 °F (65 °C)



NO.	PART NAME	MATERIAL
1	FUSE METAL	FUSIBLE ALLOY
2	HEAT COLLECTOR	COPPER
3	DEFLECTOR	STAINLESS STEEL
4	VALVE CAP	BRASS
5	SPRING SEAT	Ni-Be + PTFE



Towards Global Leader in Fire Fighting Equipment

Masteco Industry Co., Ltd. formerly known as Korea Halon was founded in 1984. Since then, the company has been providing fire protection solutions to a wide array of customers through its innovative and state-of-the-art water and gaseous-based fire extinguishing product lines. With extensive experience in the development and manufacturing of such products, Masteco Industry Co., Ltd. has established itself in the Korean market as the leading and trusted partner in fire protection. As the company extends its market globally, Masteco Industry Co., Ltd. continues to endeavor for high-quality products that comply with if not exceed the applicable strictest international standards.



■ **Head Office**

1001ho, 244, Beotkkot-ro, Geumcheon-gu
Seoul, 153-788, Korea
Tel.: 82-2-785-1301, Fax: 82-2-785-1313

■ **USA Office**

4310 Regency Dr.
Gleenview, IL 60025
Tel.: 847-759-8872, Fax: 877-520-5357

■ **Main Factory**

(146BL-13LT) 173, Aenggogae-ro, 490beon-gil
Namdong-gu, Incheon, 405-821, Korea
Tel.: 82-32-811-1301, Fax: 82-32-811-1305