



Part N. 2000-200

The Series 27 Optical Smoke Detector has a moulded self-extinguishing white polycarbonate case with wind resistant smoke inlets. Nickel plated stainless steel wiper contacts connect the detector to the base. Inside the case a printed circuit board has the optical system mounted on one side and the signal processing electronics on the other. The sensing chamber is a black moulding configured as a labyrinth which prevents penetration of ambient light. The labyrinth has a fine gauze.

insect-resistant cover. The chamber houses an infrared light emitting diode (LED) and a photo-diode which has an integral visible-light filter as extra protection against ambient light.

Every three seconds the LED emits a burst of collimated light, modulated at 4kHz.

In clear air, light from the LED does not fall directly on the diode because the LED is positioned at an obtuse angle to the diode (as shown in Fig. 2).

When smoke enters the chamber, a fraction of the collimated light is scattered onto the photo-diode. If the

collimated light is scattered onto the photo-diode. If the resulting signal from the photo-diode is above a preset threshold, the LED emits two more bursts of light, this time at two second intervals. If light is scattered onto the photo-diode by both these pulses due to the presence of smoke detector signals an alarm state by switching the alarm latch on, increasing the current drawn from the supply from about 40µA to a maximum of 75mA. This fall in the impedance of the detector is recognised by the control panel as an alarm signal.

The alarm current also illuminates the detector integral LED. A remote indicator connected between the L1 IN terminal and the -R terminal will have a voltage equal to the supply voltage less 1 volt across it and so will illuminate.

To ensure correct operation of the detector the control panel must be arranged to supply a maximum of 33 volts DC and a minimum of 9 volts DC in normal operation.

The supply may fall to 6 volts DC in alarm conditions if a supply current of at least 10mA is available at this voltage. To ensure effective illumination of the integral LED and any remote indicator, the supply to the detector should exceed 12 volts.

To restore the detector to quiescent condition, it is necessary to expel any smoke and interrupt the electrical supply to the detector for a minimum of one second.

OPTIONS

- 1) 1) Flashing LED: The integral LED flashes when the detector is in a quiescent state.
- 2) 2) Magnetic test switch and Flashing LED: A magnetic test switch in the circuit of the detector can be magnetically activated from outside the case to initiate an alarm condition for test and commissioning purpose. A flashing LED' as outlined above' is also included.



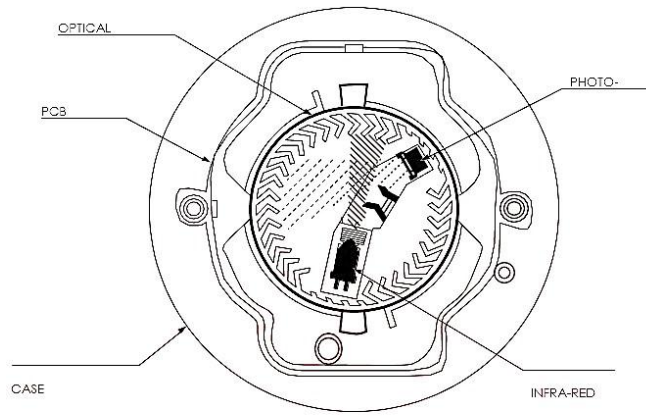


Fig.2 Top section, Series 27 Optical Smoke Detector

TECHNICAL DATA

Specifications are typical and given at 23°C and 50% relative humidity unless specified otherwise.

Detector Type:

Point type smoke detector for fire detection and alarm systems for buildings.

Detection Principle:

Photoelectric detection of light scattered in a forward direction by smoke particles

Chamber Configuration:

Horizontal optical bench housing an infra-red emitter and sensor arranged radially to detect forward scattered light

Sensor:

Silicon PIN photo-diode

Emitter:

GaAs Infra-red light emitting diode

Sampling Frequency:

Once every 3 seconds

Confirmation Frequency:

Once every 2 seconds

Number of Consecutive Sensed Alarm Signals Needed to Trigger Detector Alarm:

3

Supply Wiring:

Two wire monitored supply, polarity insensitive

Terminal Functions:

L1 IN and L2: supply in connections (polarity insensitive).

L1 OUT and L2: supply out connections (polarity insensitive).

–R: remote indicator negative connection

Supply Voltage:

9 to 33V DC

Ripple Voltage:

2V peak to peak maximum at 0.1Hz to 100kHz

Quiescent Current:

30–50µA at 24V

Switch-on Surge Current:

115µA at 24V

Alarm Voltage:

6 to 28V

Normal Alarm Current:

61mA at 28V

52mA at 24V

18mA at 10V

Alarm Indicator:

Clear light emitting diode (LED) emitting red light

Design Alarm Load:

420Ω in series with 2V drop

Holding Voltage:

6V (min)

Holding Current:

10mA (min)

Minimum Voltage Required to Illuminate Indicator:

12V

Alarm Reset Voltage:

1V

Alarm Reset Time:

1 second

Remote Output Characteristics:

Remote is a current sink to the negative line limited to 17mA

Sensitivity:

Nominal alarm threshold of 0.15dB/m obscuration, measured in accordance with EN 54–7: 2000

Temperature Range:

–20° to +60°C (no condensation or icing).

Humidity:

0% to 95% relative humidity (no condensation)

Wind Speed:

Insensitive to wind

Atmospheric Pressure:

Insensitive to atmospheric pressure

IP Rating:

23D in accordance with BS EN 60529

EMC, approvals and regulatory compliance:

Refer to Page 18 of this document

Dimensions: (dia. x height)

Detector: 100x42mm

Detector in Base: 100x50mm

Weights:

Detector: 99g Detector

in Base: 150g

Materials:

Detector housing: White polycarbonate rated V-0-in accordance with UL 94. Terminals: Nickel plated stainless steel



CE 0832