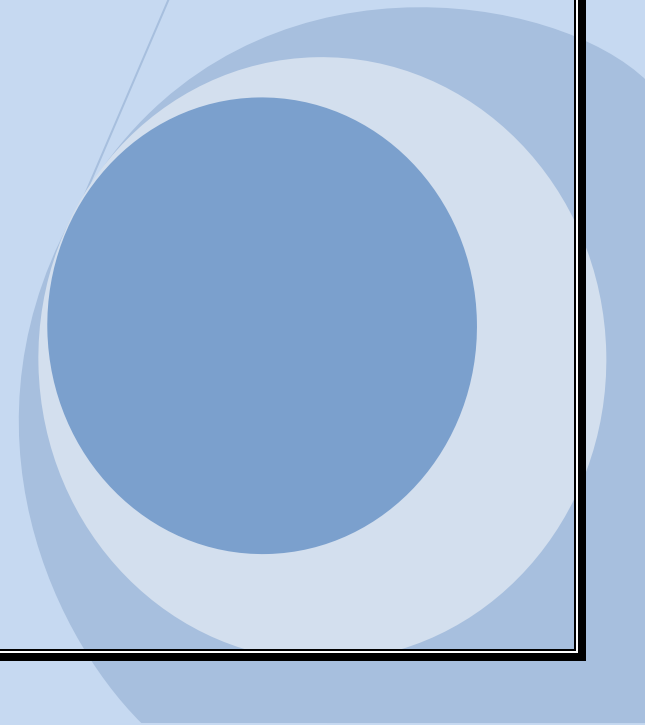
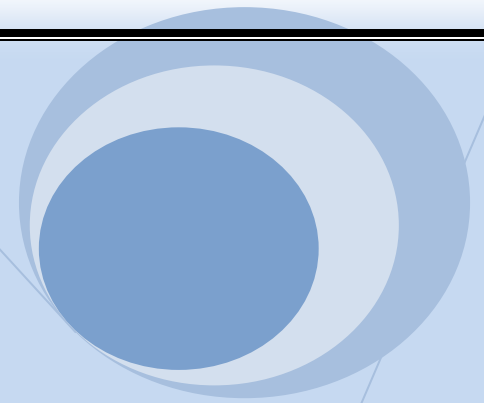
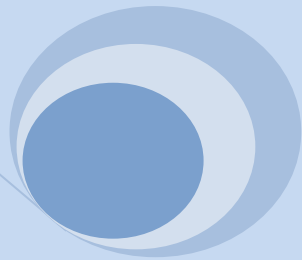


SYNCOLN 13100



COMPACT SYSTEM



GAS DETECTOR

&

SOLENOID VALVE

CONTENT;

- 1 About the Device: 4**
- 1.1.1 Maintenance : 4**
- 1.1.2 Assembly: 4/5**
- 1.1.3 Gas Detector and Connecting to output elements: 5**
- 1.1.4 Gas Detector and Connecting to Solenoid Valve: 5/6**
- 1.1.5 Connection Table and Alerts: 6**
- 1.1.6 Instruction:7**
- 1.1.7 Gas Detector Technical Specifications:8**
- 1.1.8 Solenoid Valve Technical Specifications:9**
- 1.1.9 Gaz Detector’s with 2 cable output installation to a Solenoid Valve: 10**
- 1.1.10 Warranty Conditions: 11**
- 1.1.11 Qualified Service:12**

COMPACT SYSTEM

1. About Device

NYS in weather that can detect explosive gases (natural gas and LPG) is a device. This type of dangerous gases are detected, the gas detector NYS buzzer (tone) and audio, with LED allows the light warning.

The green LED lights, and stand-alone device, as long as electricity is fed to the burning of a dangerous situation as long as there is no middle. NYS of explosive gases (natural gas and LPG) in the case of one found in red LED lights. At the same time buzzer (tone) the yellow led on the circuit is enters. Device error (failure) led indicates.

Yellow loss of continuity and short circuits in case the sensor is engaged.

Every time you plug the device is inserted and the maximum period of 45 seconds, the need for a calibration plug is inserted hear this from the moment the device 45 seconds after the gas detection device that can position also passes this feature in case of power failure to close solenoid valve in obstacles.

NYS methane gas detectors (CH_4), propane (C_3H_8) and butane (C_4H_{10}) gas, the figure is well below dangerous even detects and boiler, furnace, catalytic heater, gas water heater, such as working with explosive devices in places where you truly provide security.

1.1 Maintenance: A damp cloth to clean the device, light can have.

1.1.2 Assembly: NYS gas detectors, explosive gas (LPG and natural gas) is used where (boiler, water heater, cooker, oven, etc.) at a maximum distance of 1 meter should be mounted in a fixed location. Mounting screw holes on the back of the NYS gas detector can benefit from.

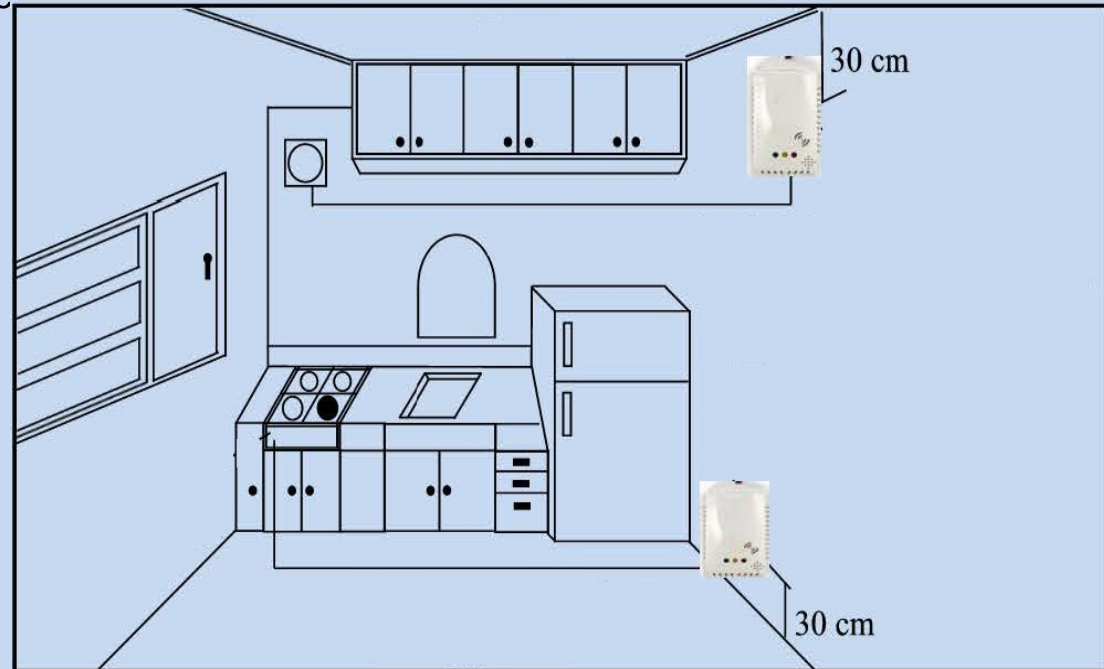
While the device installed may affect device reliability emerged as a common material for steam and gases (cleaning fluids, nail polish, paints, cooking processes perfume and deodorant) will not be affected should be mounted in a location.

GAS DETECTOR

&

SOLENOID VALVE

Voltage of 220 VAC with standard city after mounting NYS gas detector chips are ready to work by attaching. NYS 'will be mounted on the need to consider are the issues. These points can be specified as follows:
In LPG (tubes) are used, the device must be mounted near the place, and from the height should not exceed 30 cm and absolutely. LPG is heavier because of the air.
If you are using the natural environment, the device must be mounted to the ceiling and then the ceiling should not exceed 30 cm distance from. This is because the natural gas is lighter air. Should be considered in these matters is understood more clearly in Figure 1



1.1.3 Linking to Exit Elements of Gas Detectors; As elements of the output solenoid detector NYS gas valve and / or can be connected to the horn. These links, NYS are provided with gas detectors to the ignition cable.

1.1.4 NYS 'Linking e Solenoid Valves: Solenoid valves, gas lines, and feeds on the fly when the voltage is cut off gas. Solenoid a valve, NYS gas can be controlled by the detector. NYS solenoid valve

COMPACT SYSTEM

connected to a dangerous situation if the valve is engaged in NYS ' in addition solenoid and gas transmission cut off. This mechanism gives you a security effortless and flawless.

To connect the gas valve solenoid valve to NYS detector Figure 2, follow these instructions to the benefit.

The first phase of the network flow (R) end of the BLACK cable to connect the output cable NYS ' in contact.

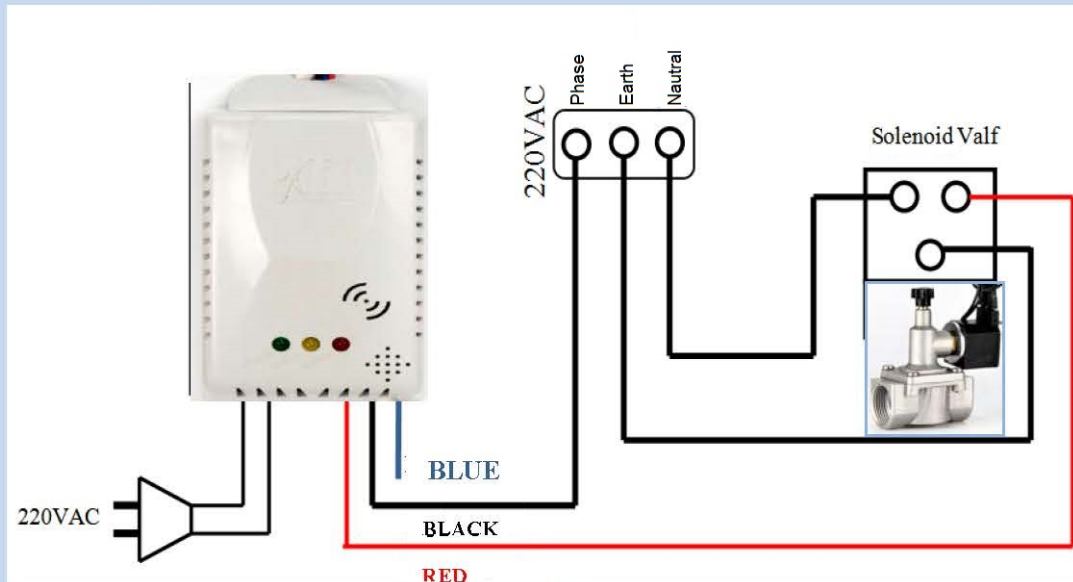
After making a connection to the BLACK wire cable output end NYS 'in RED 220V nutrition solenoid valve end of any one of with terminal connect.

One from the other end of the feed valve Selenoid terminal neutral network (MP) to connect the ends.

Leave blank the BLUE cable NYS gas detector.

Of gas detectors to 220VAC outlet cord NYS connect cable.

After making all these connections are available solenoid valve.



1.1.5

- ✓ A person must be installed by DEVICES PAPERS.
- ✓ For any questions about your device and problems by phone, fax numbers and e-mail address we can reach our technical service.



GAS DETECTOR

&

SOLENOID VALVE

1.1.6 After the device needs to be done to give the alarm;

- ✓ All weather materials, including all the naked flame should be extinguished.
- ✓ All gas appliances should be shut down.
- ✓ Gas detectors, including the not open any electrical equipment and should not be closed.
- ✓ Gas supply from the main gas control and / or (if LPG source) from the storage tanks should be closed.
- ✓ To increase the ventilation doors and windows should be opened.
- ✓ Buildings are suspected to have the gas should not be used in the phone.
- ✓ Once installed, the alarm will continue to give back the device and the leakage is not understood because the company immediately to provide gas or 24-hour emergency gas service must be reported.

COMPACT SYSTEM

1.1.7 TECHNICAL SPECIFICATIONS / GAS DEDEKTÖR ;

	NYS
Power Consumption:	3W (maximum)
Power Source:	220V +%10 (50-60 Hz)
Buzzer	85 dB (minimum)
Solenoid Valve Outlet:	250 VA (maximum)
	SENSOR
Sensor:	OEM
Warm up Period:	45 seconds
Sensor Measurement/ Detection Range:	EN 50194 (European Standard)
Life of the Sensor:	5 years
	ENVIRONMENT
Temperature:	0°C – 50°C
Humidity:	%80 (maximum)

GAS DETECTOR

&

SOLENOID VALVE

1.1.8 SOLENOID VALVE / MANUAL RESET VALVES

Technical Specifications;

- Threaded Mounting : DN15, DN20, DN25
- Max. Inlet Pressure : 500 mbar
- Working Voltage : 230 V AC/50 Hz - 12 V DC/ 18W - 24V
- Working Temperature: -15 °C / 60 °C
- Tensile Strength : Materials' tensile strength referred to TS-519 ,EN 161 standards.
- Material Type : Body and cover are Entail 140 aluminum brass forgings. Resetting shaft and knob are MS 58 DIN 17660 brass.
- Fluid Types : Suitable for natural gas (group-CH4) liquid petroleum gas,propane, air (%79 nitrogen, % 20.1 oxygen) and other non-corrosive gases;
by any means of domestic and industrial use.

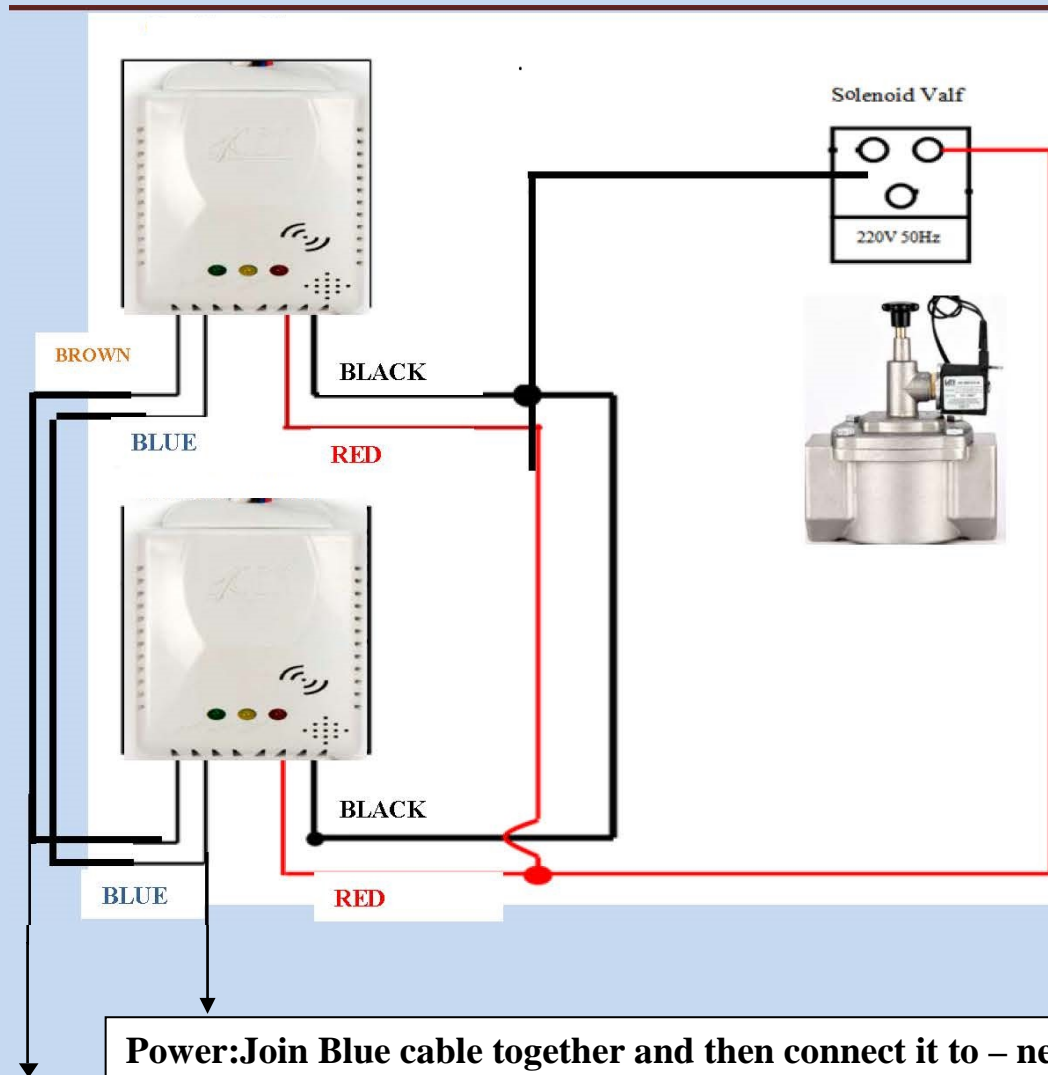
Installation ;

- . Before installing the valve, carefully check the flowing direction shown by the arrow on the valve itself •
- . These valves can be installed either vertical or horizontal •
- . Be sure that the piping is clean and aligned •
- . Do not exceed limits (pressure,temperature etc.) defined in the technical specifications •
- . Reset by pulling the knob vertically after installing the valve •

; Maintenance

- These valves do not require maintenance •
- In case of any trouble occurs during installation or resetting the valve please contact the manufacturer. Never •
- . try to disassemble
- . The valve and connected pipes should not carry heavy loads •
- Once every 6 months, do the lighter test using the Gas Detector •

COMPACT SYSTEM



Power: Join Blue cable together and then connect it to – neutral source

Power: Join Brown cable together and then connect it to + source

- ### 1.1.9 Gas Detector's with 2 cable output installation to a Solenoid Valve:
- **POWER Connection:** First join brown cables together and then blue cable together. On the brown cable connect it to positive source and the blue cable to neutral source.
 - **Relay Switch Connection:** Connect red to red cable and then black to black cable.
 - **Then connect the red and black cables to a solenoid valve.** Note; it does not matter which cable goes to which end as long as colors stay the same.

GAS DETECTOR & SOLENOID VALVE

1.1.10 WARRANTY CONDITIONS

1. Warranty period starts from the date of delivery of goods, and two (2) years.
2. Goods, including all parts of our entire company is under warranty.
3. In the event of malfunction within the warranty period the goods in repair warranty period will be added to the elapsed time. Duration of the repair of goods is no more than thirty business days. This time, service station, in the absence of goods merchant, dealer, agent, representative, importer or manufacturer to one of the starts from the date of notification.
4. Goods within the warranty period, both material and workmanship and in the case of malfunction due to mounting errors, labor costs, the cost of replaced parts, or under any other name will be repaired without any charge.
5. Goods;
Delivery to stay within warranty period from the date of registration of a within one year, two more than repeat the same failure or the emergence of more than four different breakdown of the results did not benefit from the continuity of goods to gain, Exceed the maximum time needed to repair the
Service station is not available to the dealer, dealer, agent, representative, importer or manufacturer to edit one of the reporting of possible failure of the repair does not have to determine, in cases as a free replacement will be done.
6. Goods used in the manual to be used against the issues that are beyond warranty malfunction.
Regarding the problems
7. Garanti Document for Industry and Commerce Ministry and can be applied to the General Directorate for Protection of Competition.

COMPACT SYSTEM

THANK YOU...

GAS DETECTOR

&

SOLENOID VALVE