

Sounder Beacon (DC)

A general purpose electronic sounder for fire, security and industrial applications; the Sonos Sounder Beacon is certified to EN54.

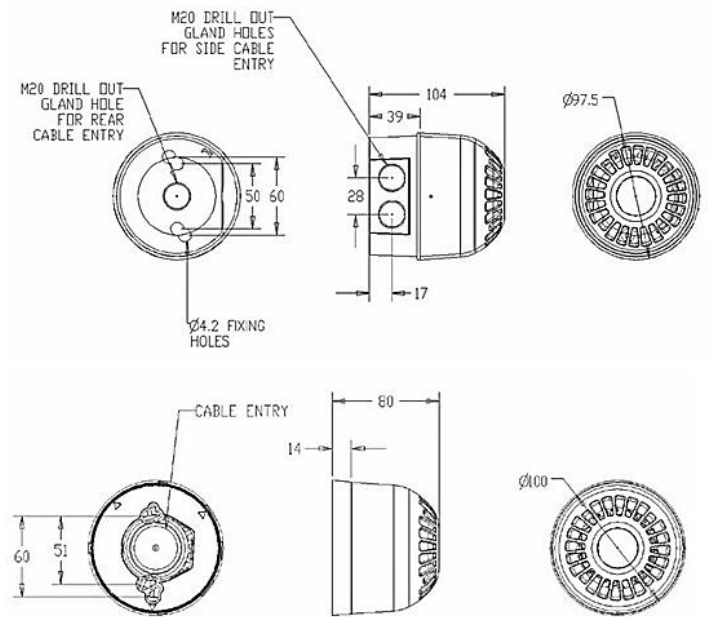
With the TimeSaver base, connections are made to the base during the initial wiring phase which results in faster and more reliable installation. The sounder head 'twists and clicks' into the base on commissioning, avoiding the wiring and connection problems associated with traditional sounders. With a choice of 32 tones including all the major international standards, the Sonos Sounder Beacon has universal acceptance.



Applications - Fire; security; industrial alarm

Features

- Low current LED beacon
- Simple 'First Fix' installation
- Weatherproof to IP65 (deep base units)
- Choice of lens colours
- Sounder and beacon can be controlled separately
- Tone and volume can be preset or adjusted off-base - 20dB
- Separate connections for sounder & beacon



Part No.	Base	Colours	Audibility at 1m	Tones	Voltage	Sounder Current	Beacon Current
1000-100	Red shallow base	Red lens	Up to 106dB (A)	32	17-60V DC	4-45mA	5mA
1000-101	Red deep base	Red lens	Up to 106dB (A)	32	17-60V DC	4-45mA	5mA

IP Rating: IP65 (deep base) IP21 (shallow base) **Operating Temp:** -25°C to +70°C

Construction: Flame Retardant Polycarbonate **Cable Entries:** Deep Base: 2 x 20mm cable glands **Weight:** 0.22kg (shallow base) 0.25kg (deep base)

Compliance: EN54 3 Type A (shallow base) EN54 3 Type B (deep base)