

Sounder

With the TimeSaver base, connections are made to the base during the initial wiring phase which results in faster and more reliable installation. The sounder head 'twists and clicks'

into the base on commissioning, avoiding the wiring and connection problems associated with traditional sounders.

With a choice of 32 tones including all the major international standards, the Syncoln Sounder has universal acceptance.

Deep base units have weatherproof protection to IP65 and can be used in all locations both indoors and outdoors.

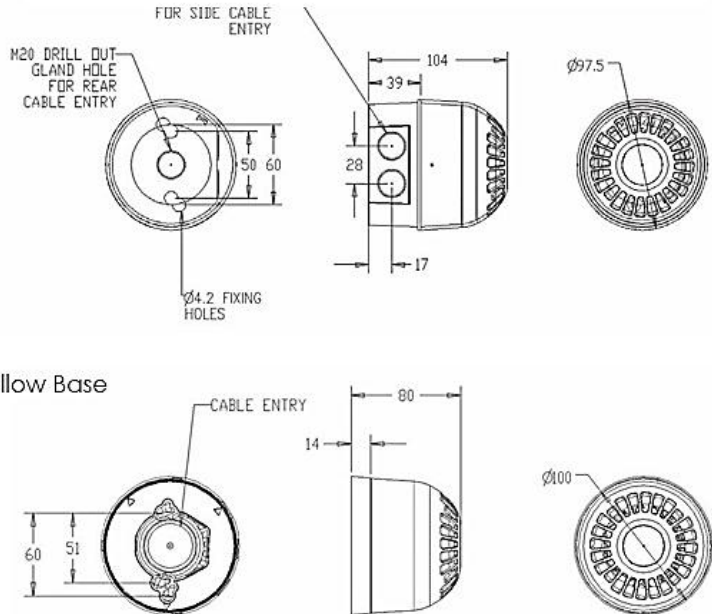
Syncoln Sounder units are available in either red or white and with a choice of deep or shallow TimeSaver base.



Deep Base

Features

- Wide voltage range
- Simple 'First Fix' installation
- 2 Alarm stages
- 32 tones
- Tone and volume can be preset or adjusted off-base
- Weatherproof to IP65 (deep base units)
- Synchronised alarm tones
- Volume control - Typical 8dB



Specifications

Combined Part No.	Base Part No.	Colour	Audibility at 1m	tones	Voltage	Current (tone dependent)
1000-200	PSO-0001 shallow base	Red	Up to 106dB (A)	32	9-60V DC	4-41mA
1000-201	PSO-0003 deep base	Red	Up to 106dB (A)	32	9-60V DC	4-41mA

IP Rating: IP65 (deep base) IP21 (shallow base) **Operating Temp:** -25°C to +70°C **Construction:** Flame Retardant Polycarbonate

Cable Entries: Deep Base: 2 x 20mm cable glands **Weight:** 0.22kg (shallow base) 0.25kg (deep base)

Compliance: EN54 3 Type A (shallow base) EN54-3 Type B (deep base)